

Enquiry and order form for Self-recoiling springs

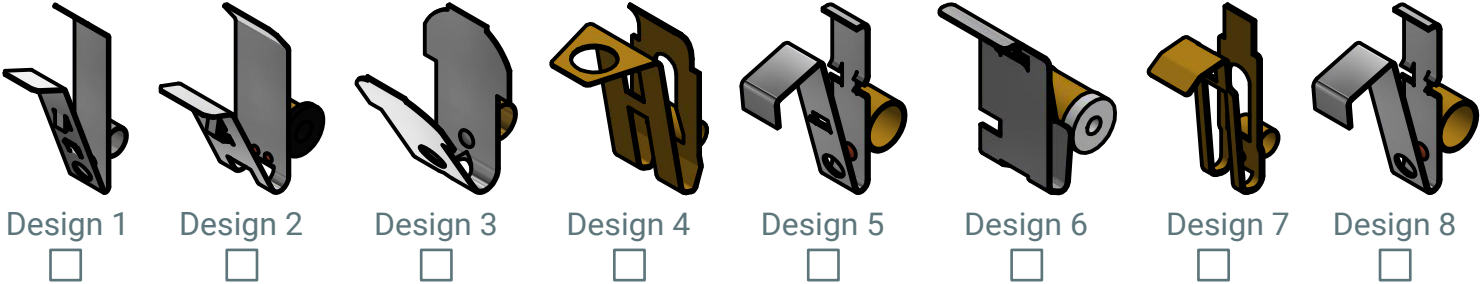
Company, name, address:

Company	
Name	
Street	
Zip code	City
Country	

Enquiry Order

Quantity:

Please select the required design and fill out the following blanks according to the schematics on page 2:



Force: cN
(see labeling on clip)

A: mm B: mm C: mm

D: mm E: mm F: mm
(only designs 3, 4, 6 and 7)

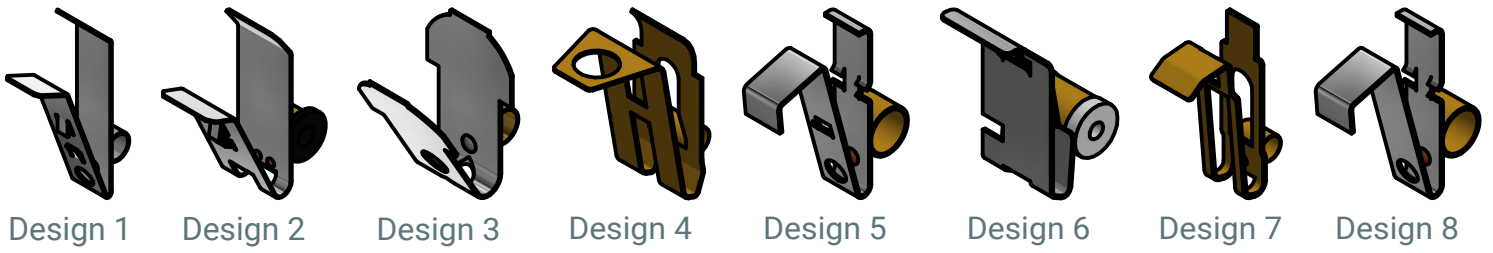
G: mm
(only designs 2 and 6)

Comments:

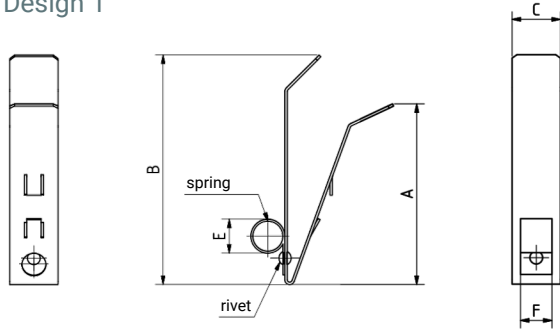
Yes, I have read and accepted the terms and conditions.

Date, signature

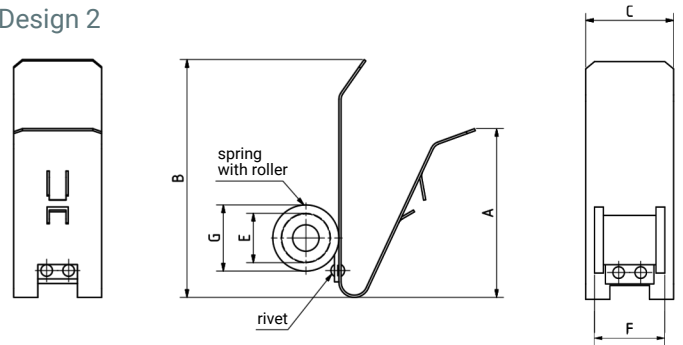
The standard designs at a glance



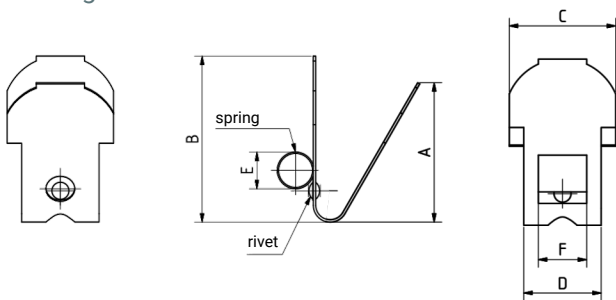
Design 1



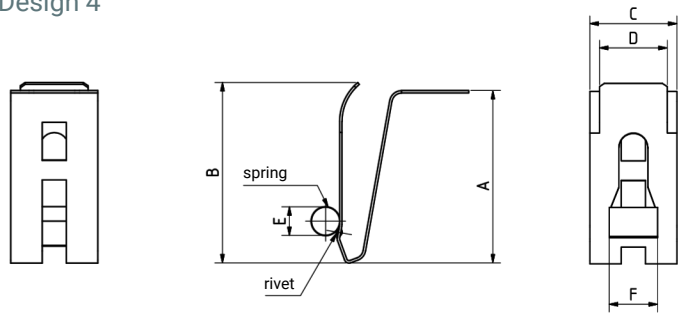
Design 2



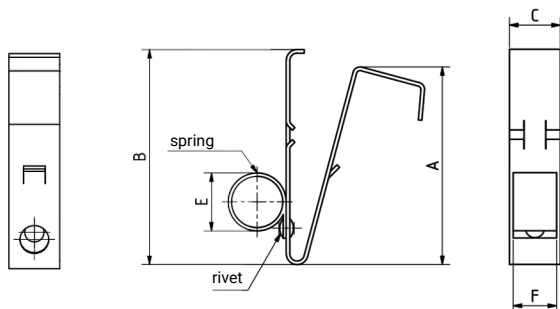
Design 3



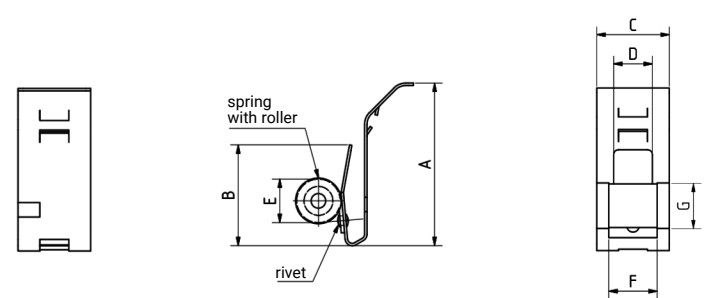
Design 4



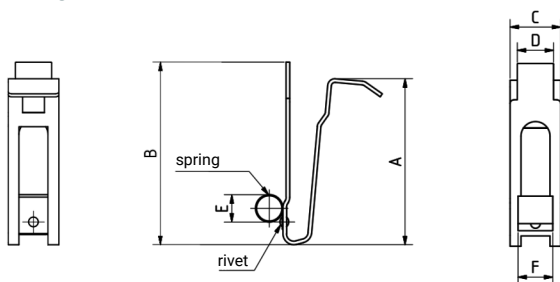
Design 5



Design 6



Design 7



Design 8

